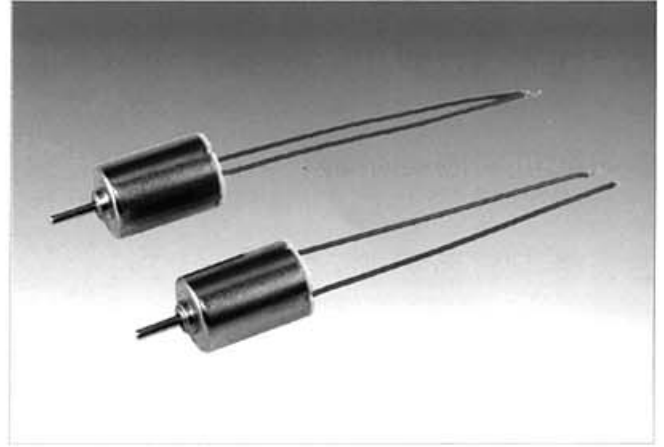


Applications: Top grade Toy and other Precision Instruments ect.

Operating environment:  $-10\sim+50^{\circ}\text{C}$  ;  $10\sim90\%\text{RH}$

Operating Voltage:  $3.0\sim6.0\text{V.DC}$

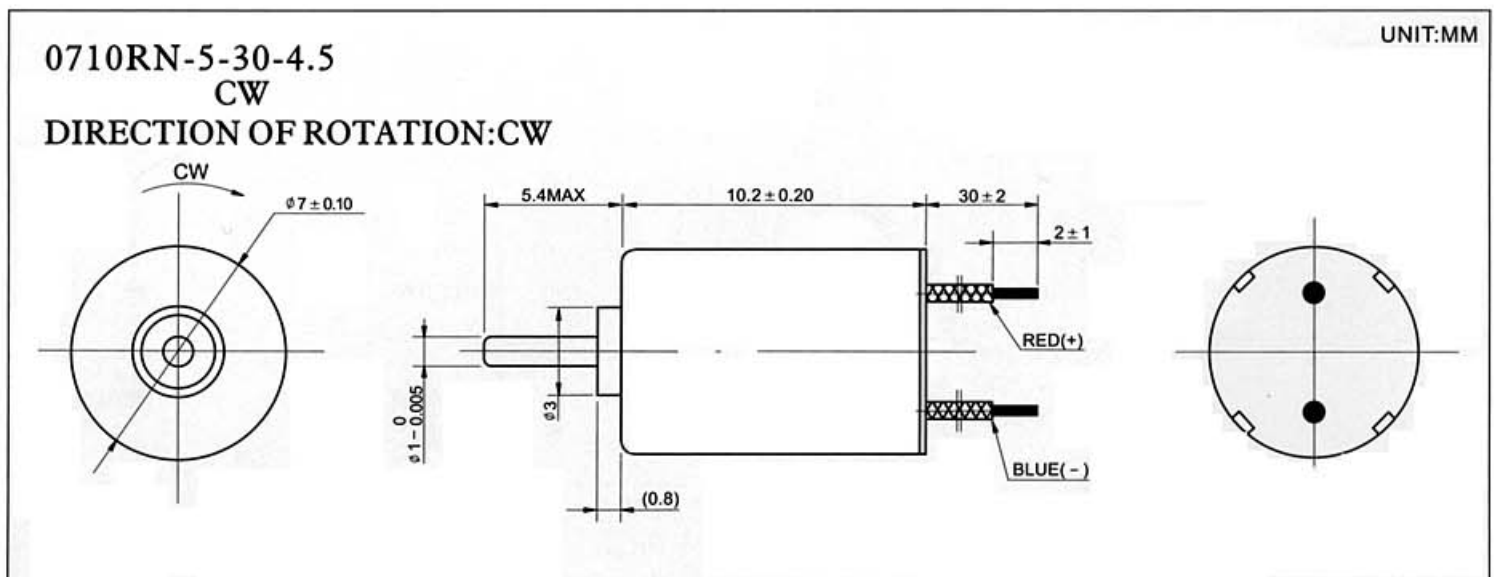


### Characteristics

MODEL	NOMINAL					NOLOAD		START	
	VOLTAGE	TORQUE	SPEED	CURRENT	POWER	SPEED	CURRENT	TORQUE	CURRENT
	V	g.cm/mN.m	rpm	mA	W	rpm	mA	g.cm/mN.m	mA
0710RN-5-30-4.5	4.5	1.0/0.098	$28000 \pm 20\%$ (28000)	$\leq 175$	0.29	$40000 \pm 20\%$ (40000)	$\leq 65$	3.0/0.294	$\leq 420$

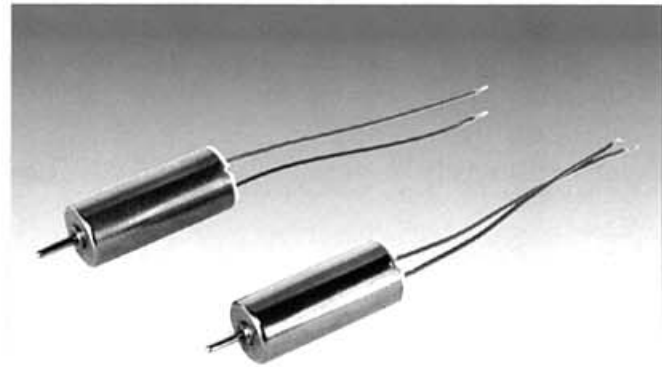
Remark: Counter weight loaded; Data is ( ) is type.

### Outline Drawing



Applications: Top grade Toy and other Precision Instrument ect.

Operating environment:  $-10\sim+50^{\circ}\text{C}$  : 10~90%RH



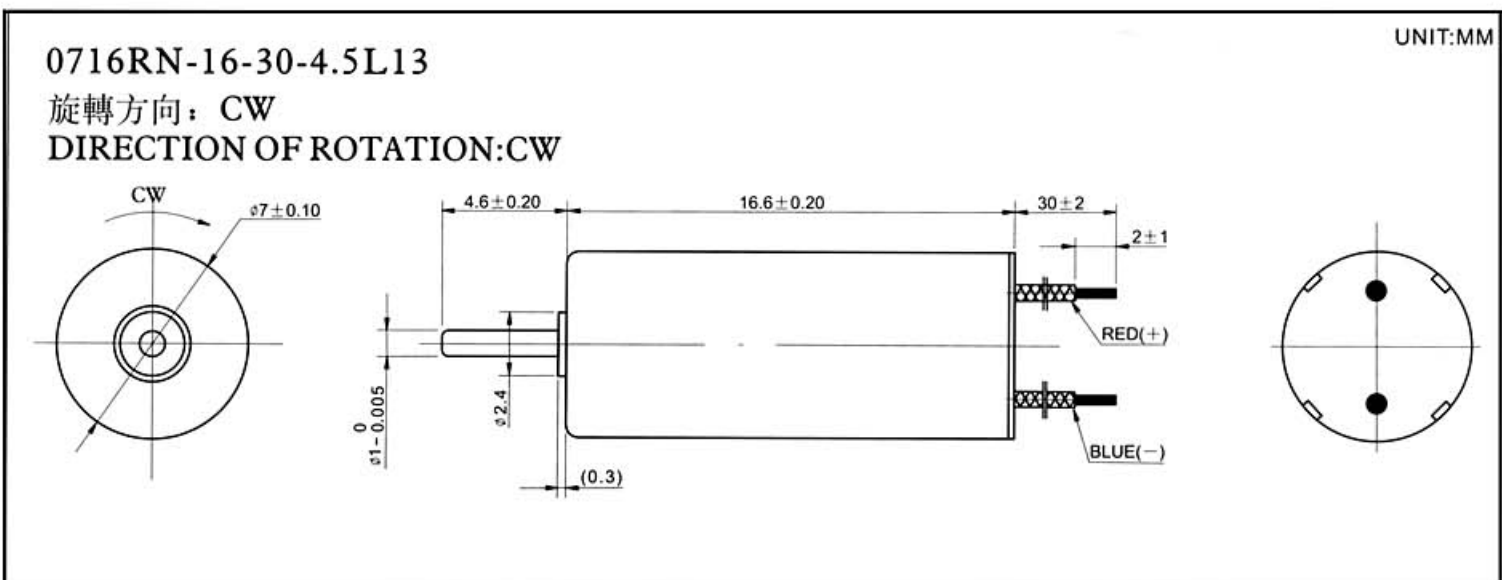
Operating Voltage: 3.0~6.0V.DC

### Characteristics

MODEL	NOMINAL					NOLOAD		START	
	VOLTAGE	TORQUE	SPEED	CURRENT	POWER	SPEED	CURRENT	TORQUE	CURRENT
	V	g.cm/mN.m	rpm	mA	W	rpm	mA	g.cm/mN.m	mA
0716RN-16-30-4.5L13	4.5	2.0/0.196	$8000 \pm 20\%$ (8000)	$\leq 150$	0.16	$22000 \pm 20\%$ (22000)	$\leq 30$	3.0/0.294	$\leq 230$

Remark: Counter weight loaded; Data is() is type.

### Outline Drawing

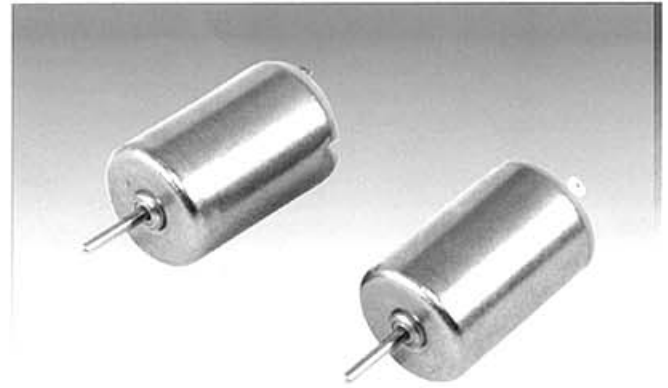


## 1015RN Series

Applications: Top grade Toy, Household appliances and other Precision Instrument etc.

Operating environment:  $-10\sim+50^{\circ}\text{C}$  ; 10~90%RH

Operating Voltage: 3.0~5.5V.DC

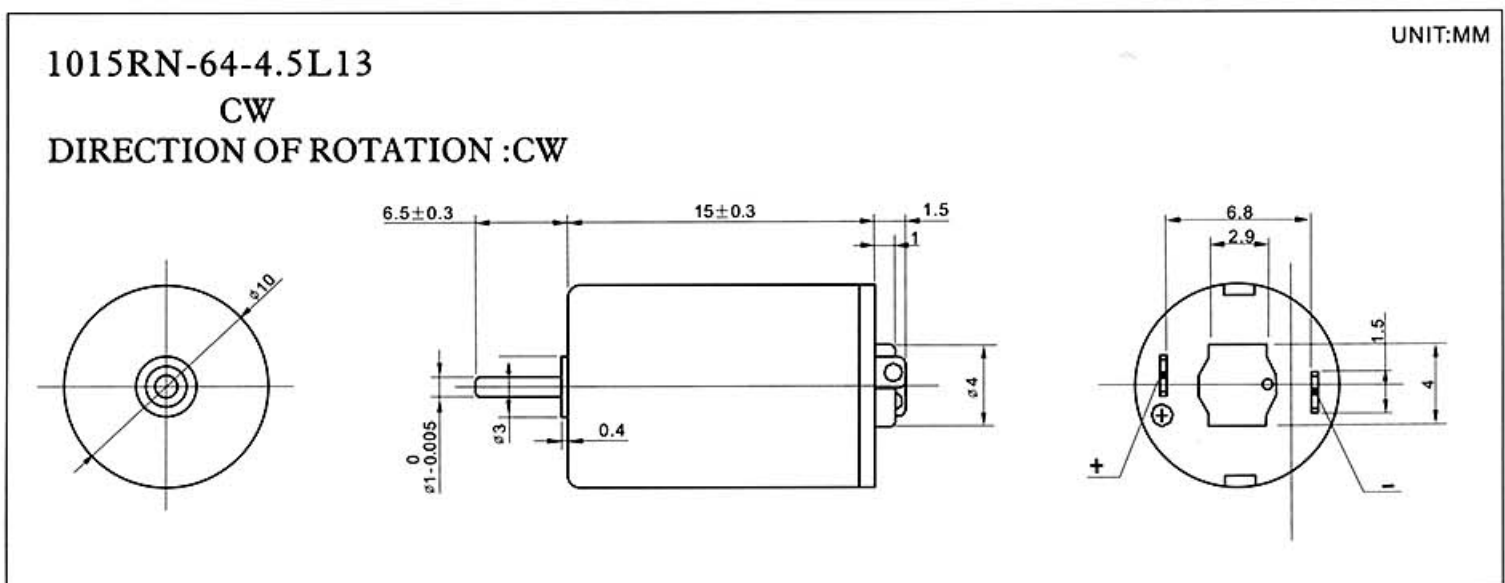


## Characteristics

MODEL	NOMINAL					NOLOAD		START	
	VOLTAGE	TORQUE	SPEED	CURRENT	POWER	SPEED	CURRENT	TORQUE	CURRENT
	V	g.cm/mN.m	rpm	mA	W	rpm	mA	g.cm/mN.m	mA
1015RN-64-4.5L13	4.5	5.0/0.49	$15000\pm 15\%$ (15000)	$\leq 380$	0.78	$24000\pm 15\%$ (24000)	$\leq 55$	14/1.37	$\leq 900$

Remark: Counter weight loaded; Data is() is type.

## Outline Drawing

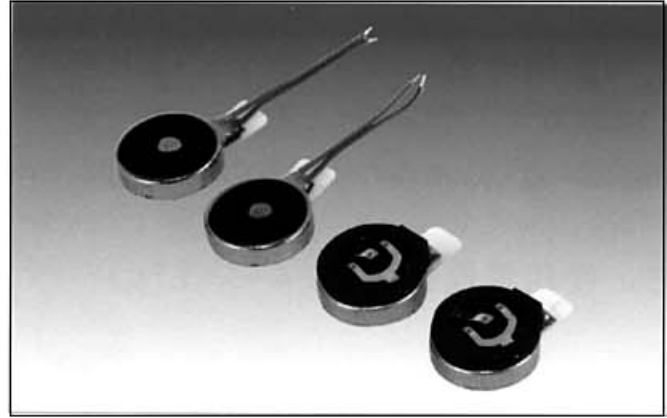


Applications: Mobile Phone and other Precision Instrument ect.

Operating environment: -20~+70°C ; 15~90%RH

Operating Voltage: As seen table

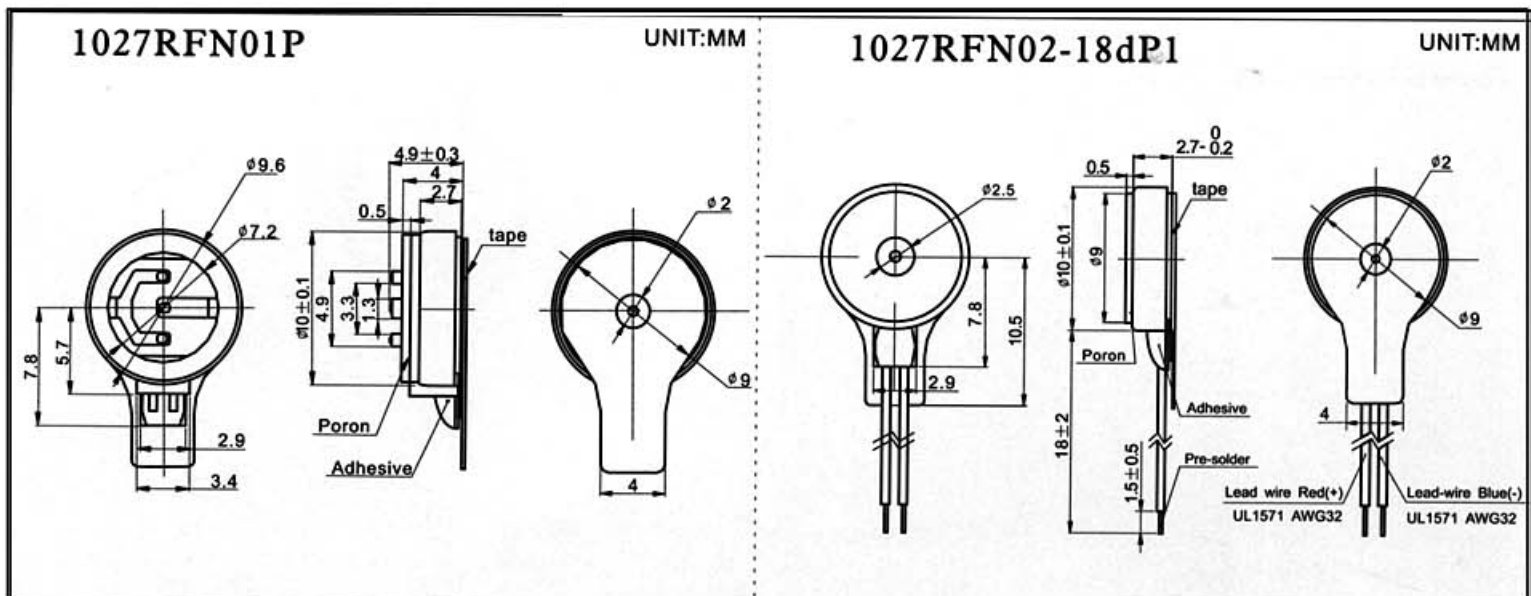
Characteristics



型號 MODEL	額定電壓 NOMINAL VOLTAGE	額定轉速 NOMINAL SPEED	額定電流 NOMINAL CURRENT	起動電壓 START VOLTAGE	起動電流 (堵轉電流) START VOLTAGE
	V	rpm	mA	V	mA
1027RFN01P	2.4-3.6	≥10000 (13500)	≤90(60)	≤2.3	≤130
1027RFN02 -18dP1	1.9-3.0	≥10000 (12500)	≤70(55)	≤1.9	≤120

Remark: Counter weight loaded; Data is( ) is type.

Outline Drawing

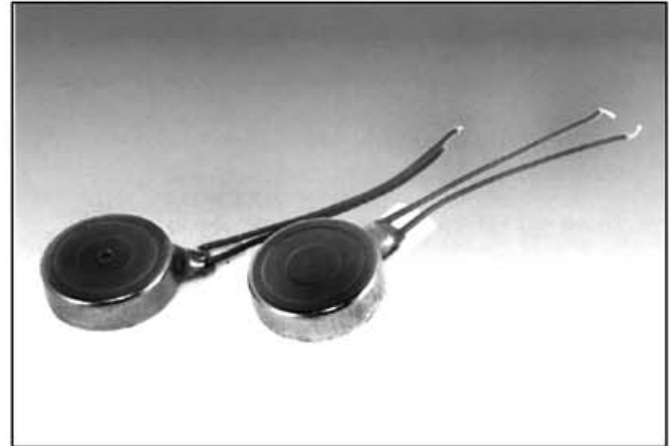


# 1030RFN Series

Applications: Mobile Phone and other Precision Instrument ect.

Operating environment:  $-20 \sim +70^{\circ}\text{C}$  ;  $15 \sim 90\% \text{RH}$

Operating Voltage: 2.4~3.6V.DC



MODEL	NOMINAL VOLTAGE	NOMINAL SPEED	NOMINAL CURRENT	START VOLTAGE	START VOLTAGE
	V	rpm	mA	V	mA
1030RFN01-25d	3	$\geq 10000$ (12500)	$\leq 75$ (62)	$\leq 2.3$	$\leq 150$

Remark: Counter weight loaded; Data is() is type.

